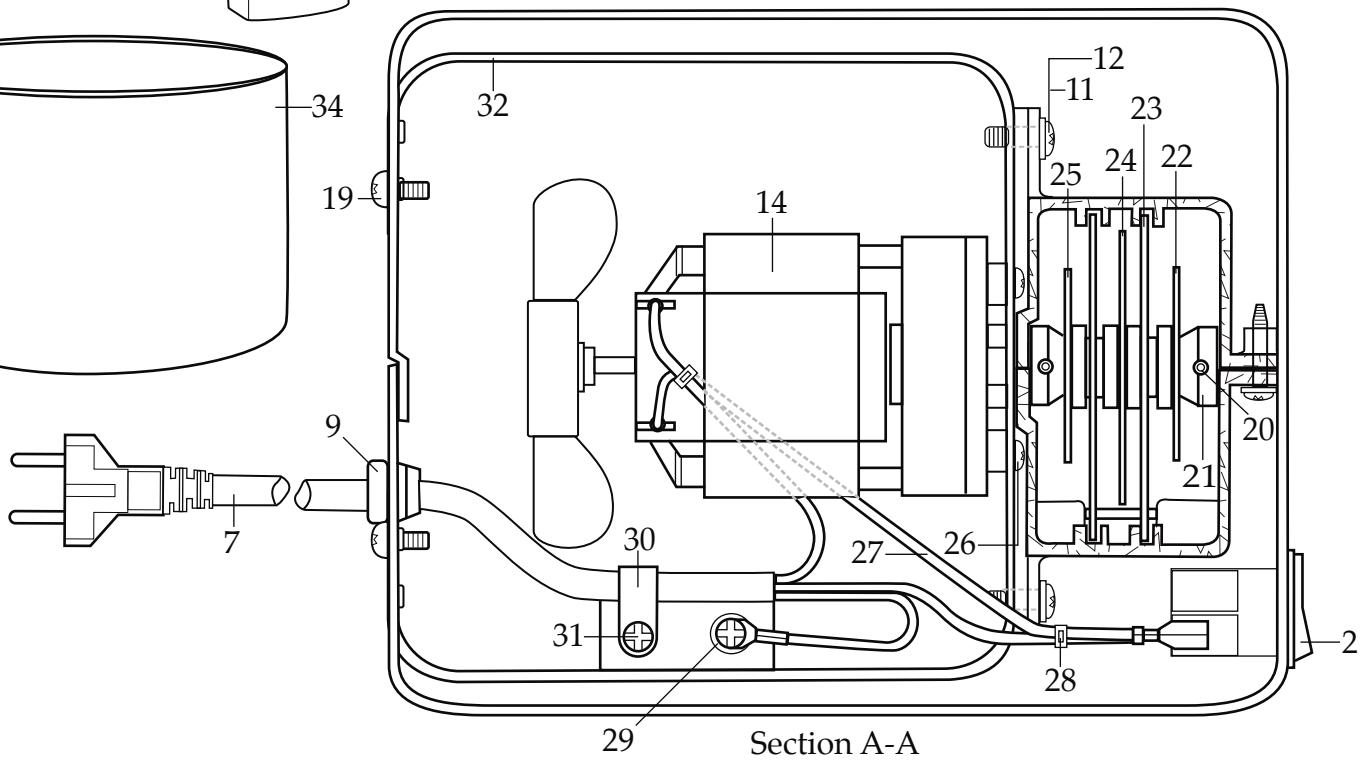
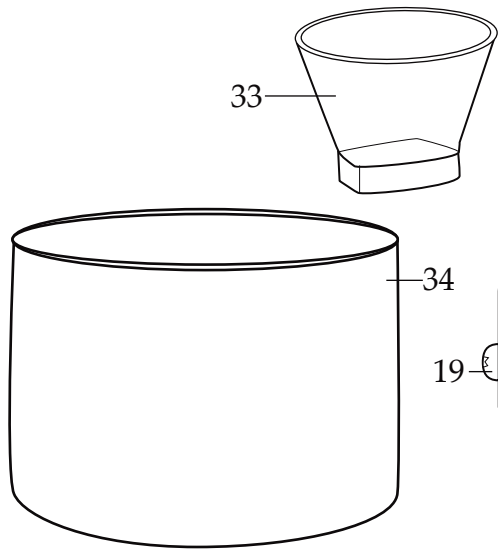
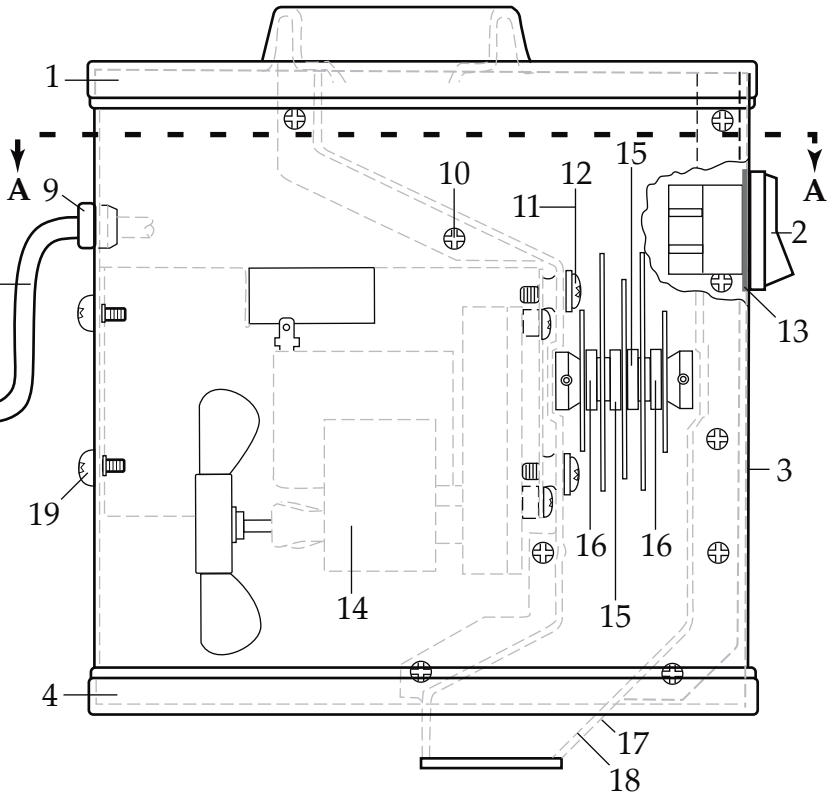
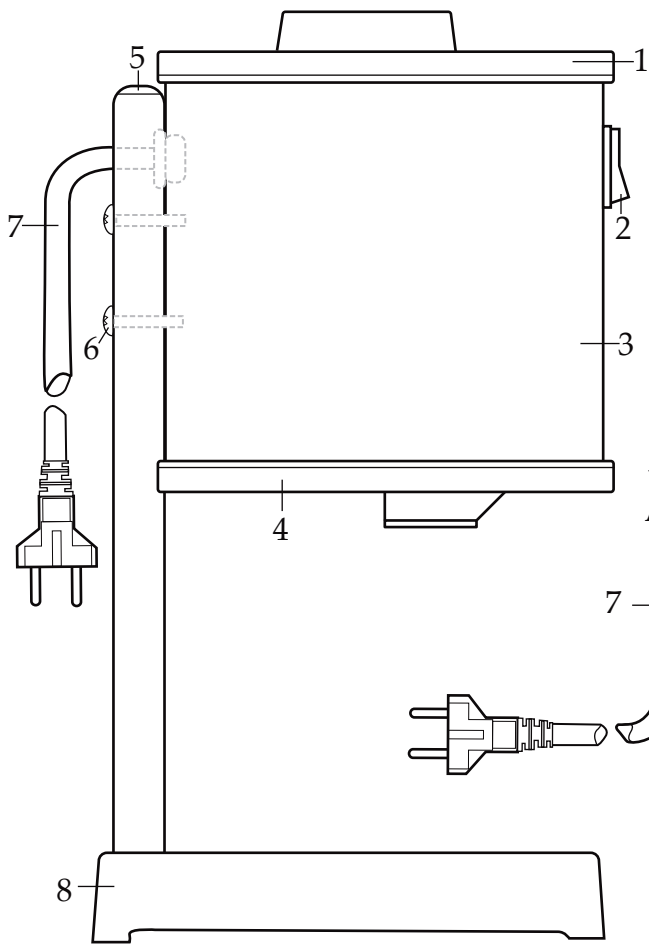


WARING COMMERCIAL

220-240 Volt Ice Crusher
IC20

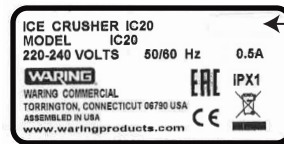


Illustration#	Part#	Description
1	017389	Top Cover
2	018231 017245	Switch (on units after 10/12/2000) Switch
3	018230 017387	Punched Enclosure Wrap (on units after 10/12/2000) Enclosure Wrap
4	017390	Bottom Cover
5	017413	Cap Plug (2 required)
6	017405	Screw (4 required)
7	501816	Cord Set
8	017412	Base
9	017950	Strain Relief
10	017530	Screw (9 required)
11	006937	Washer (4 required)
12	017494	Screw (4 required)
13	025807 018232	Splash Guard (on units after 5/10/2001) Retention Panel Clip
14	501715	Motor-Blade-Housing Assembly
15	017394	Middle Spacer (2 required)
16	017395	Blade Support Spacer (2 required)
17	017392	Right Hand Housing
18	017391	Left Hand Housing
19	017406	Screw (2 required)
20	017400	Spring Pin (2 required)
21	017393	End Spacer (2 required)
22	017398	No. 3 Blade
23	017399	Fixed Blade (2 required)
24	017397	No. 2 Blade
25	017396	No. 1 Blade
26	017408	Screw (3 required)

Catalog **Model**
 IC20 IC20 31CR25
(units after 7/10/2007)

Waring Factory Service Center
 314 Ella T. Grasso Ave.
 Torrington, CT 06790
 Tele. 1-800-269-6640
 Fax 860-496-9017
 www.waringcommercialproducts.com

Illustration#	Part#	Description
27	500399	7.5" Violet Lead
28	013731	Cable Tie (2 required)
29	002943	Washer
30	016514	Cable Clamp
31	017408	Screw (2 required)
32	017821	Bracket
33	012971	Funnel
34	014034	Plastic Bowl



← Date Code Location
 YY|MM|DD
 year year | month month | day day

